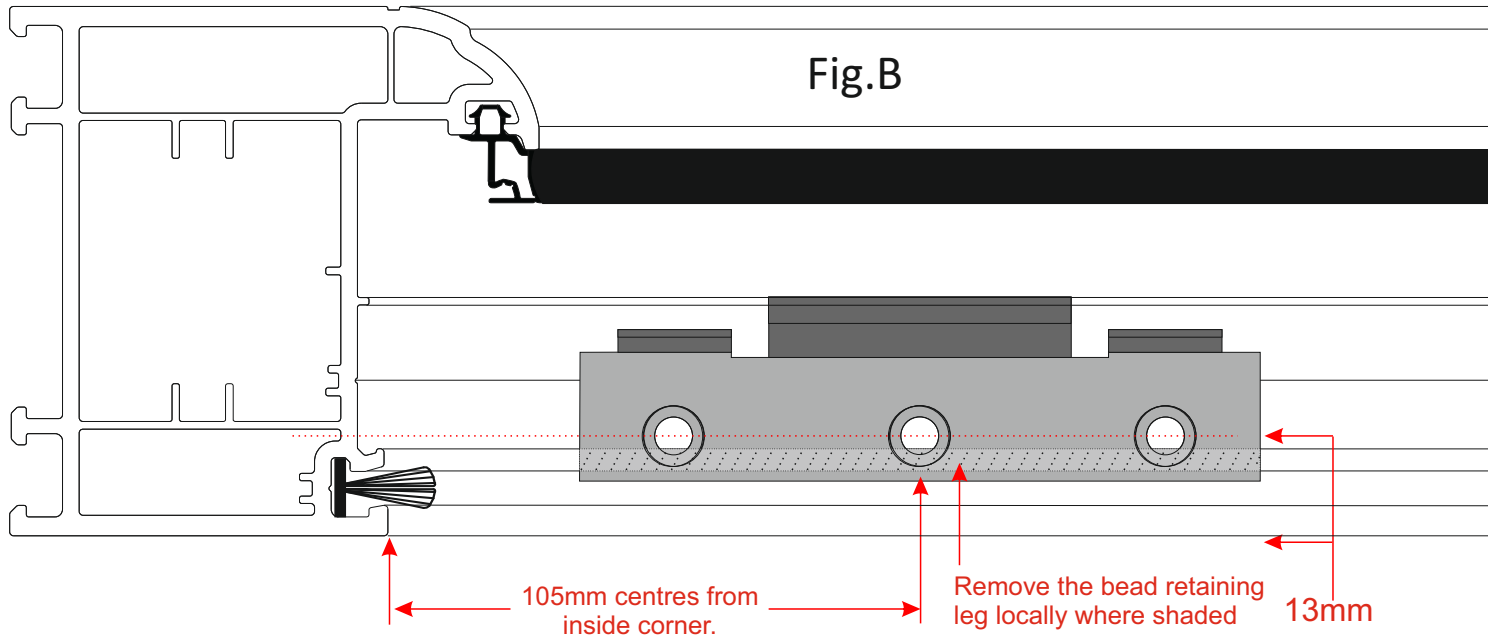
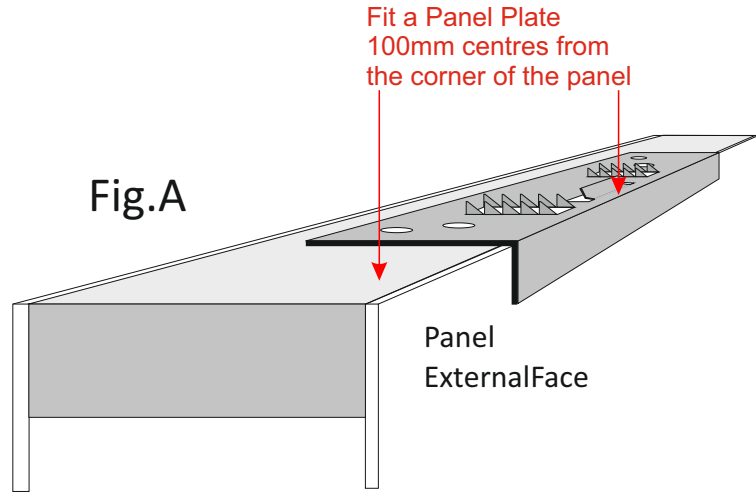


GT Panel Lok has been designed to assist the easy fit of Composite Panels into a side screen situation.

A set comprises of two metal parts, a panel plate and a frame plate, along with an acetel cover for the frame plate.

Fitted correctly, as show in the diagrams, GT Panel Lok will allow a push and lock fit with the advantage of easy release for removing the panel.

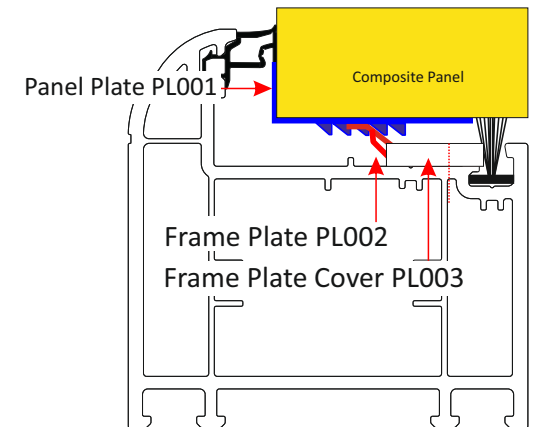
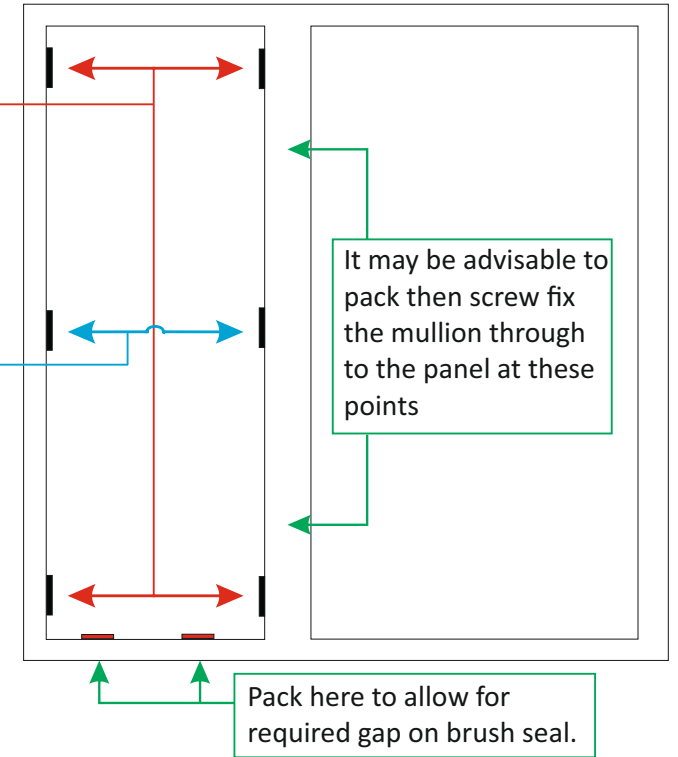
FITTING



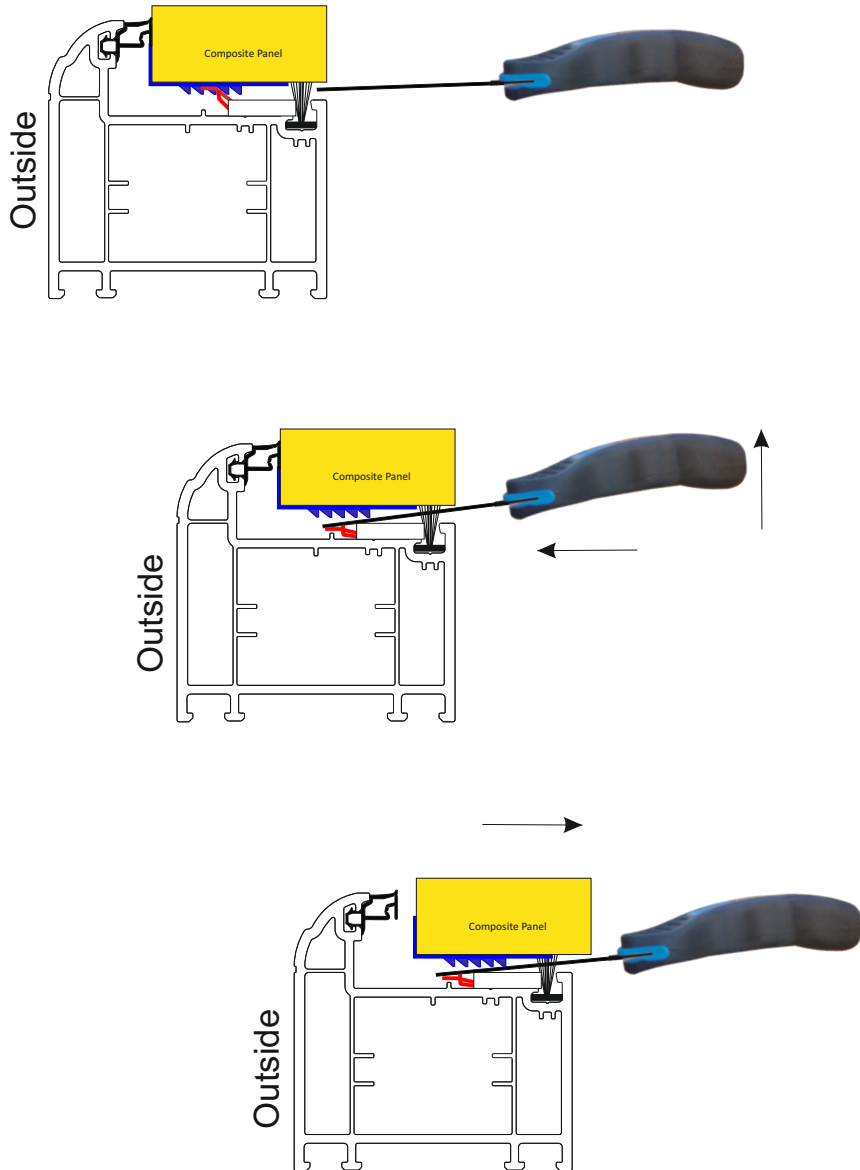
Fit Panel Lok on the
vertical bars at the
centre shown in Fig A
and Fig B

Fit additional sets
central at these
points

All drawings are not to scale
Reinforcement and fixings
have been omitted for clarity
Patent No. GB2445676B



RELEASING

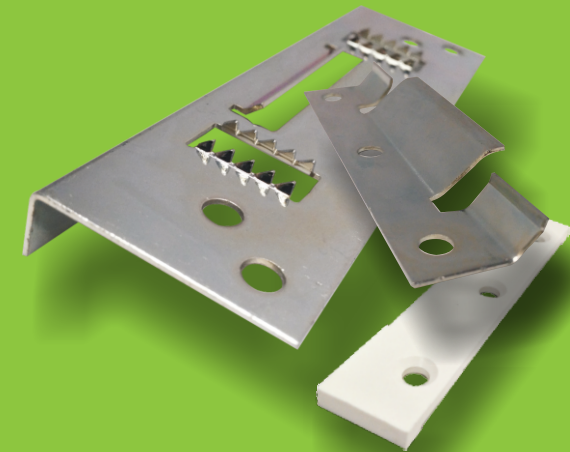


WINDOW PRODUCTS LIMITED

Effective solutions for windows manufacturers and fitters

GT Panel Lok

Patent No. GB2445676B



Fitting & Removal Instructions

Patent No. GB2445676B

Deceuninck

